



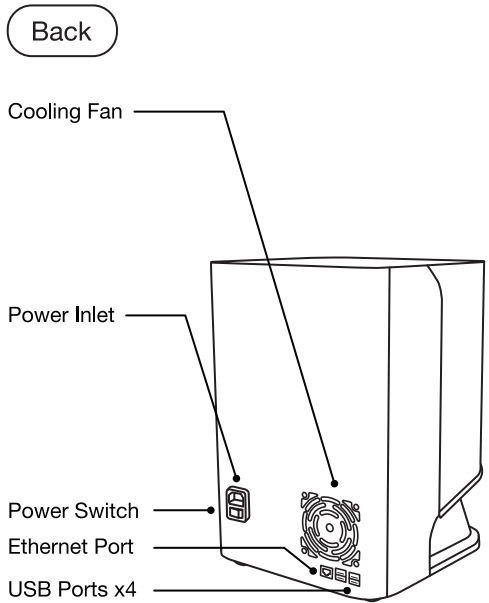
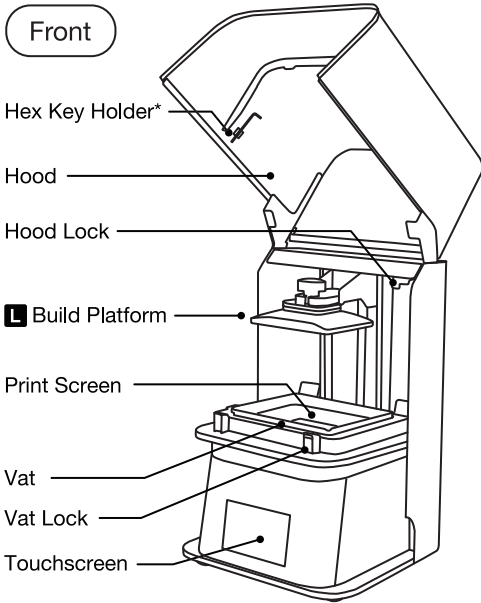
# SOL

## Quick Start Guide



Register Your  
Device & Warranty

# Product Overview



\*Store the Hex Key in the holder located under the SOL hood

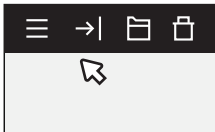
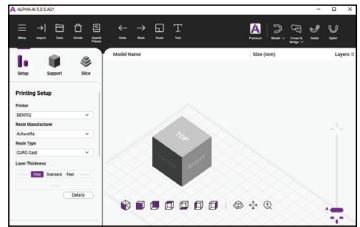
# ALPHA AI Setup



## ALPHA AI

Download and install ALPHA AI, our 3D printing slicing software.

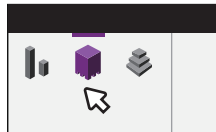
**!** Only compatible with Windows 8 and later versions



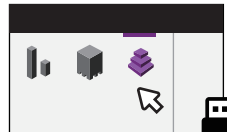
1 Import file (.STL)



2 Set up print



3 Create supports

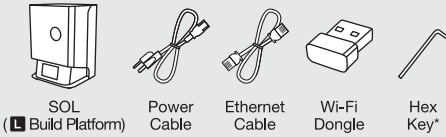


4 Slice and save →  
Export print file to a USB



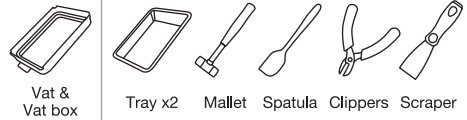
Do not allow any resin or residue to come into contact with the print screen. If resin is cured on the print screen, the screen will need to be replaced.

# Package Contents



\*Store the Hex Key in the holder located under the SOL hood.

## Starter Tool Kit



# Setup Guide

**1**

**⚠ Heavy! Handle with care**

Pull SOL out of the box.

**2**

Connect to power source and turn on SOL.

**3**

Connect to Internet via Wi-Fi or Ethernet cable.

**4**

Check IP address and ensure your printer is using the same network as your computer.

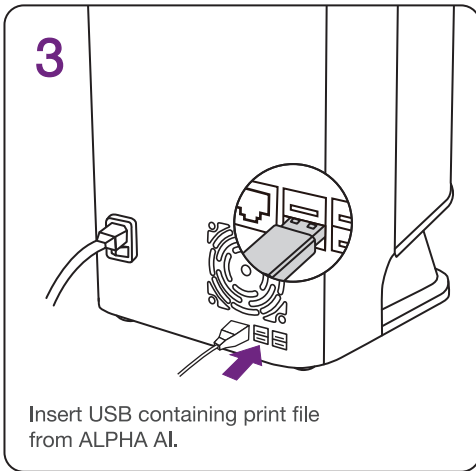
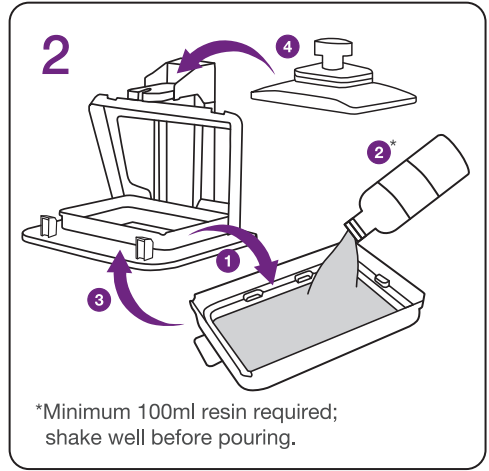
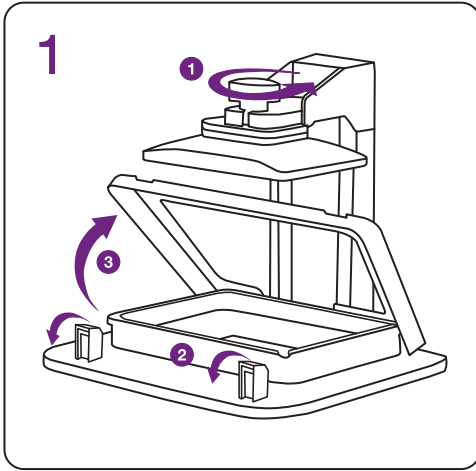


Use UV-filtered lights in your workspace to prevent unintended curing.



Operate SOL in a clean environment that is well ventilated, with a temperature range of 18°-25°C (64°-77°F).

# Printing Process



## Technical Specifications

Dimensions	29.2 (W) x 27.1 (D) x 41.6 (H) cm 11.5 (W) x 10.7 (D) x 16.4 (H) in	Print Area	12.9 (W) x 8 (D) x 12 (H) cm 5.1 (W) x 3.1 (D) x 4.7 (H) in
Weight	Approx. 18 kg Approx. 40 lbs	XY Resolution	49 µm
Power Input	100-240VAC, 50-60Hz	Layer Thickness	30-150 µm
UV Wavelength	385-405 nm	3D Print Technology	LCD

