




DENTIQ


Technical Specifications


 **3D Print Technology**
LCD

 **Print Area**
11.8 (W) x 6.5 (D) x 11 (H) cm
4.6 (W) x 2.6 (D) x 4.3 (H) in


 **UV Wavelength**
385-405 nm

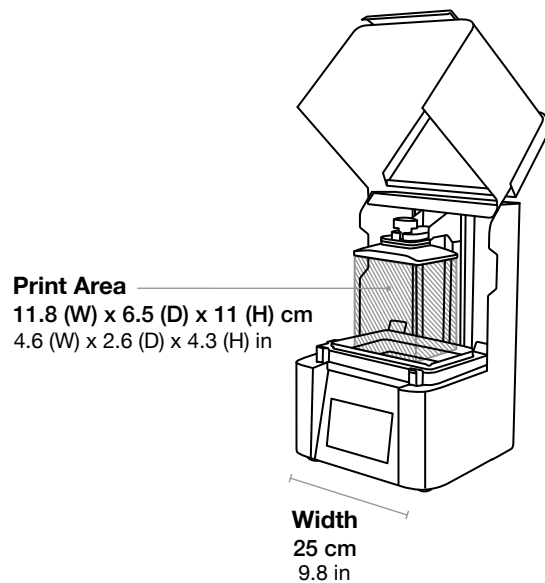
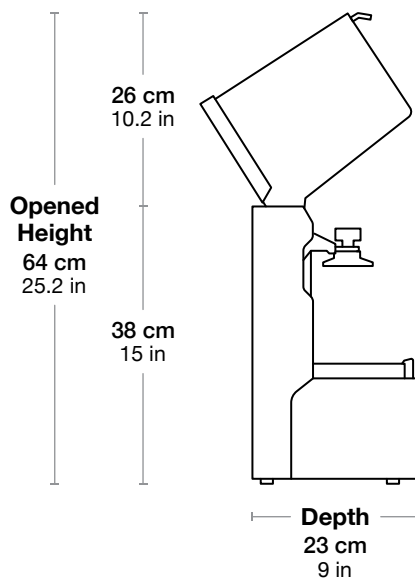
 **Dimensions**
25 (W) x 23 (D) x 38 (H) cm
9.8 (W) x 9 (D) x 15 (H) in

 **XY Resolution**
47 μ m

 **Power Input**
100-240VAC, 50-60Hz

 **Weight**
Approx. 10.5 kg
Approx. 23.1 lbs

 **Layer Thickness**
30-150 μ m



Visit ackuretta.com to learn more
For sales inquiries, contact sales@ackuretta.com