



ACKURETTA

Printing Your Perfect Smile

# CURIE Plus



### Validated with Top Resins

- Class I & Class II validated industry-leading resins



### No Flipping Prints Required\*

- 360° UV light distribution



### A New Standard in Simplicity

- One-touch open/close lid and sliding glass platform
- Seamless integration with your SOL



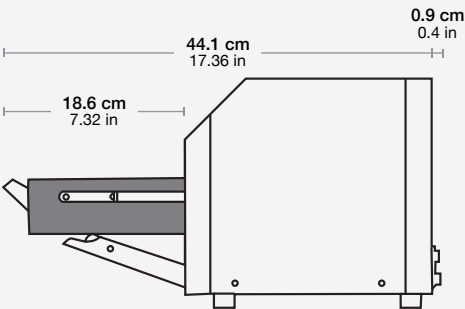
### Compatible with Nitrogen Sources

- Built for nitrogen tanks and generators
- Enhanced mechanical properties up to 25%





Up to  
**8 Full Arches**  
Capacity


## CURIE Plus Technical Specifications





Side view

**Dimensions**  
 36.6 (W) x 26 (D) x 23.4 (H) cm  
 14.4 (W) x 10.2 (D) x 9.2 (H) in

**Weight**  
 12.2 kg  
 26.9 lbs

**Power Input**  
 100-240VAC, 50-60Hz

**UV Wavelength**  
 365, 385, and 405 nm

**Chamber Dimensions**  
 20 (W) x 15 (D) x 6 (H) cm  
 7.9 (W) x 5.9 (D) x 2.4 (H) in

**LED Lights**  
 65

\*Prints with BEGO resins need to be flipped