



# CURIE<sup>+</sup> Plus

## Technical Specifications



**Curing Time Cycles**  
1 sec. to 20 min.



**Dimensions**  
36.6 (W) x 26 (D) x 23.4 (H) cm  
14.4 (W) x 10.2 (D) x 9.2 (H) in



**Weight**  
12.2 kg  
26.9 lbs



**Chamber Dimensions**  
20 (W) x 15 (D) x 6 (H) cm  
7.9 (W) x 5.9 (D) x 2.4 (H) in



**UV Wavelength**  
365, 385, and 405 nm



**LED Lights**  
65



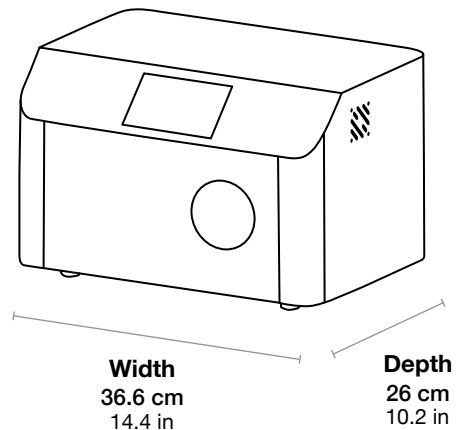
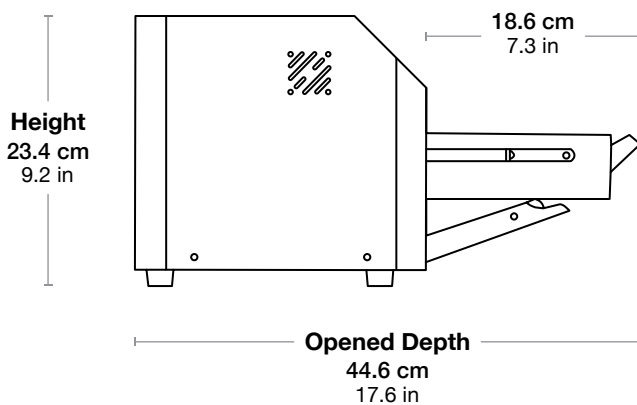
**Power Consumption**  
500 W max.



**Power Input**  
100-240VAC, 50-60Hz



**Library Updates**  
Automatic online



Visit [ackuretta.com](http://ackuretta.com) to learn more  
For sales inquiries, contact [sales@ackuretta.com](mailto:sales@ackuretta.com)