

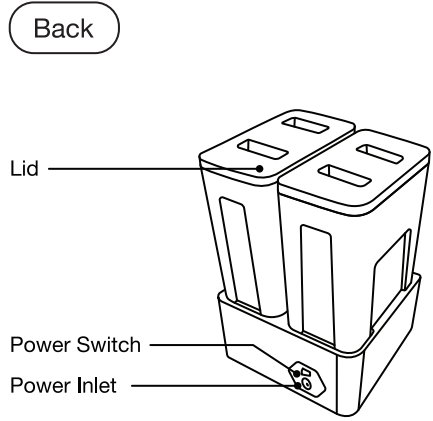
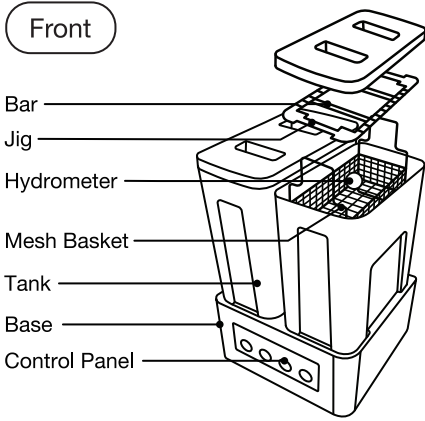
CLEANI with Dual Tanks

Quick Start Guide

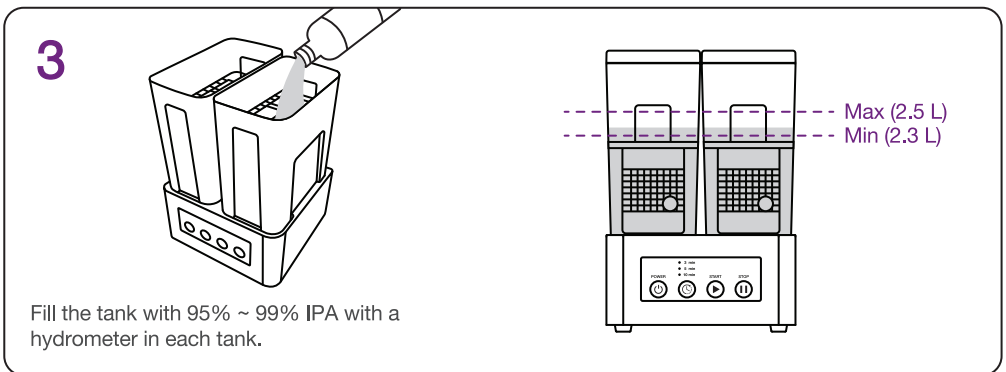
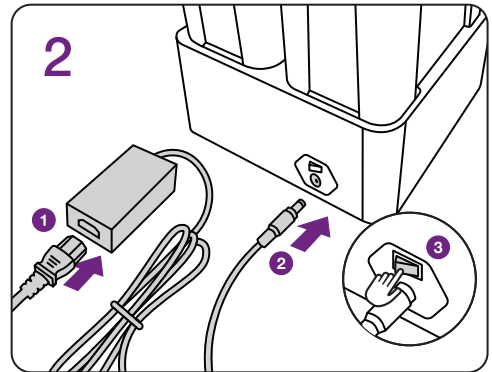
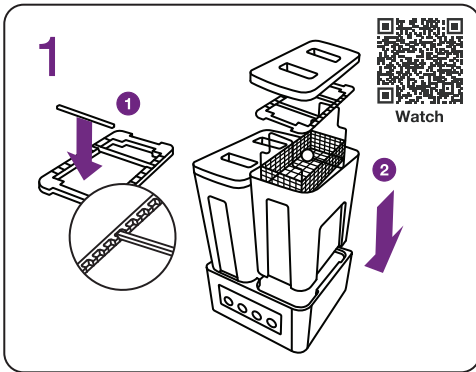


Register Your
Device & Warranty

Product Overview



Setup Guide



Keep alcohol away from ignition sources.



Always wear gloves when handling alcohol or uncured resin.

Package Contents



Base



Tank x2



Lid x2



Jig x2



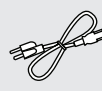
Bar x2



Mesh Basket x2



Hydrometer x2



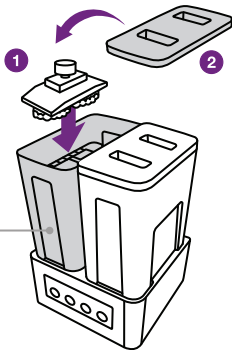
Power Cable



AC Adapter

Cleaning Process: Two-step Wash

1

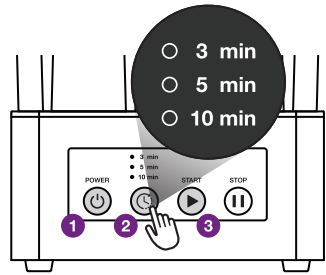


1 Dirty Wash

One bath for a first wash cycle that removes 90% of the excess resin

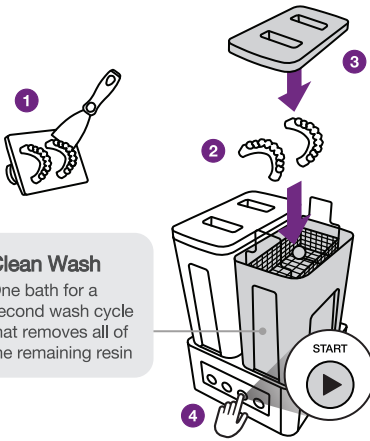
Adjust the bars according to the size of the build platform. Lay the build platform with printed applications still attached onto the bars.

2



Select the time mode according to resin manufacturer's instructions for use.

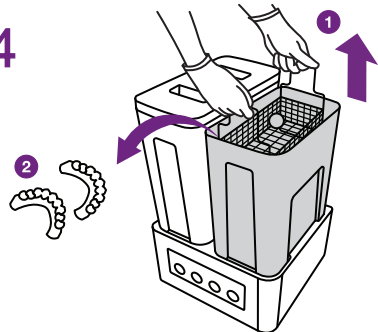
3



2 Clean Wash

One bath for a second wash cycle that removes all of the remaining resin

4



Remove the applications promptly after washing is completed. Do not let them sit in the alcohol for more than 10 minutes.

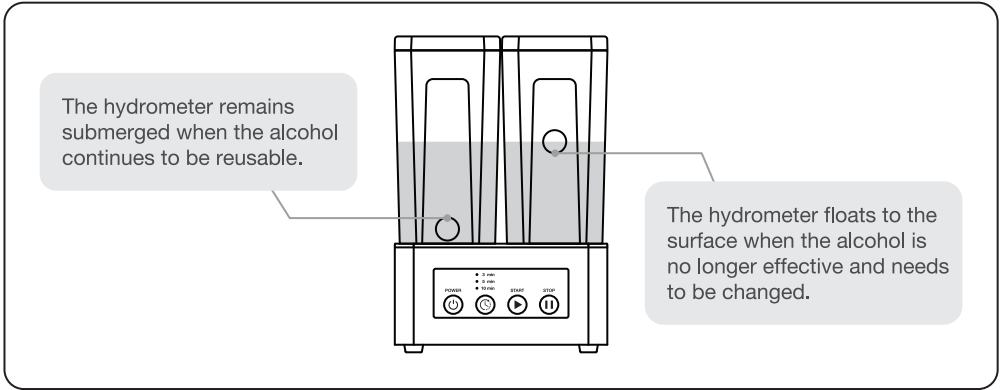


Use UV-filtered lights in your workspace to prevent unintended curing.



After cleaning is completed, remove and dry the applications by applying air to remove any remaining liquid.


Hydrometer




Technical Specifications

Dimensions	23 (W) x 23 (D) x 33 (H) cm 9.1 (W) x 9.1 (D) x 13 (H) in	Tank Size	11 (W) x 23 (D) x 23 (H) cm 4.3 (W) x 9.1 (D) x 9.1 (H) in
Weight	4.2 kg 9.3 lbs	Base Size	23 (W) x 23 (D) x 12 (H) cm 9.1 (W) x 9.1 (D) x 4.7 (H) in
Power Input	100-240VAC, 50-60Hz	Tank Volume	4 L per tank
Rated Power	48 W	Time Control	3, 5, or 10 minutes




 ACKURETTA



 User Dashboard



 Facebook User Group